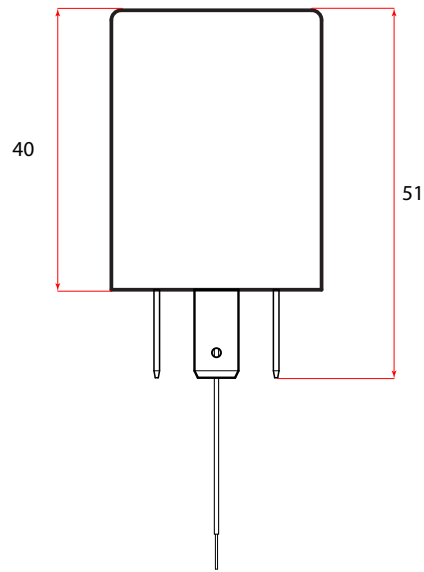
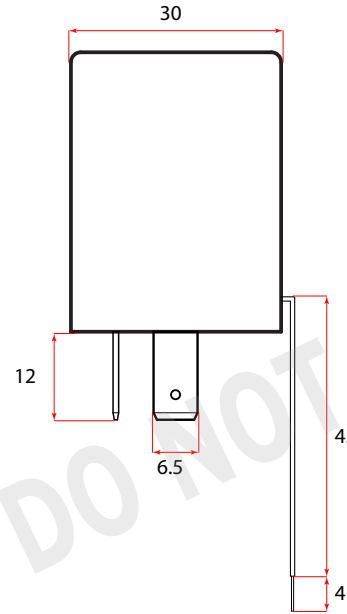


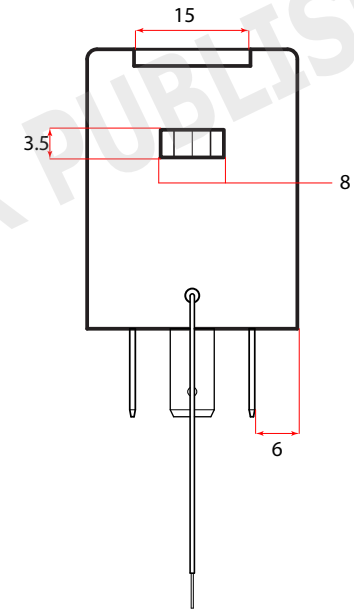
FRONT VIEW



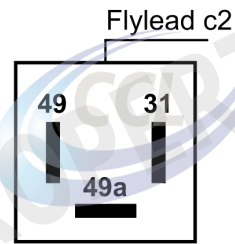
SIDE VIEW



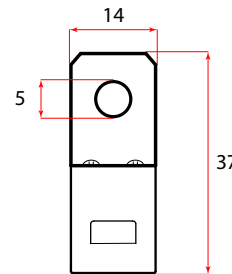
REAR VIEW



PIN LAYOUT



METAL BRACKET



+ / - 5% All Dimensions In MM

<b>Part Number</b>	01-006
<b>Type</b>	Electronic
<b>Voltage</b>	12V
<b>Max Load</b>	140W
<b>Number Of Indicator Bulbs</b>	4 x 21W + 2x21W
<b>Number Of Side Repeaters</b>	2 x 5w
<b>Dashboard Warning Light?</b>	Yes 1 x C2 Pin (1 x 1W)
<b>Min Flash Rate</b>	70
<b>Max Flash Rate</b>	100

<b>Bulb Failure Function</b>	Warning
<b>Trailer / Towing Function?</b>	Yes
<b>Ambient operating temperatures</b>	-30~80°C
<b>Operations life expectancy</b>	400h
<b>Weight (Grams)</b>	32
<b>Case Material</b>	PA66
<b>RoHS Compliant</b>	Yes
<b>Bracket</b>	Metal Bracket



Marlborough Works, Marlborough Road, Accrington, BB5 5BE  
 Tel: +44 (0) 1254 300 730 Fax: +44 (0) 1254 237432  
 e-mail: sales@currentcare.co.uk

© Copyright CurrentCare Ltd 2017

All Measurements And Specifications Are Accurate + / - 5%  
 Some Specifications May Vary / Change Without Prior Notice